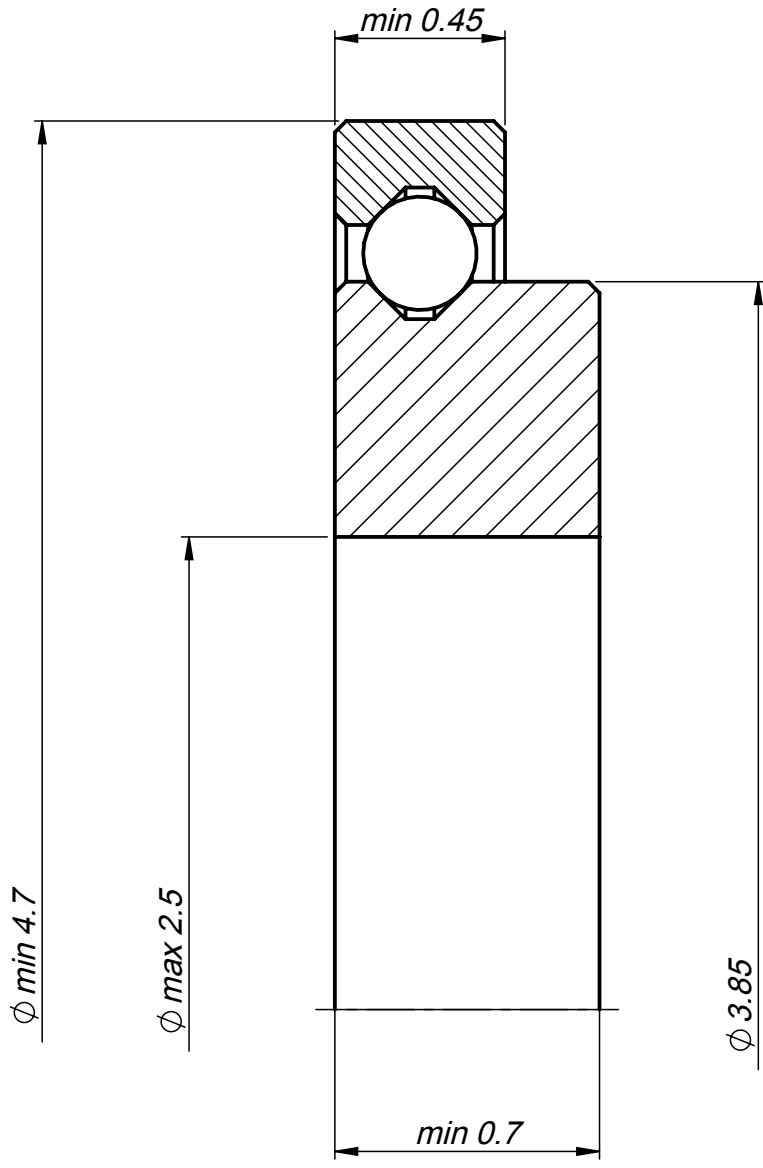


SW

We reserve all right in connection with this document and in the subject thereof. By acceptance of the document the recipient acknowledges these rights and undertakes not to publish the document nor the subject thereof in full or in part, nor to make them available to any third party without our prior express written authorization, nor to use it for any purpose other than for which it was delivered to him.

Ø Primitif	4 mm
Ø Bille	0.30 mm
Nb de Billes	6
Jeu axial	5 / 35 µm
Angle de balancement max	1.16°
Angle de retour	< 13°



Angle non coté: 0.03x45°

Remplace		Usinage général		Dessiné	Date	Désignation Rlt d'horlogerie One way	Echelle
				ZWA	04.03.2009		50:1
Matière		Remarque		Contrôlé			Format A4V
Modifié	Libéré	 Cotes en mm - Tolérances en µm Tolérances générales: ISO 2768- fH Tolérances des angles: ± 2°		Ensemble \ Projet		Page	
RB: .				N° identification		Ind.	
Date: 12.03.2009		 MPS Micro Precision Systems AG		30 - 400		01	
Visa: zwahlenm							