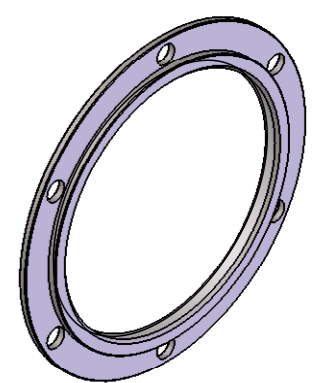
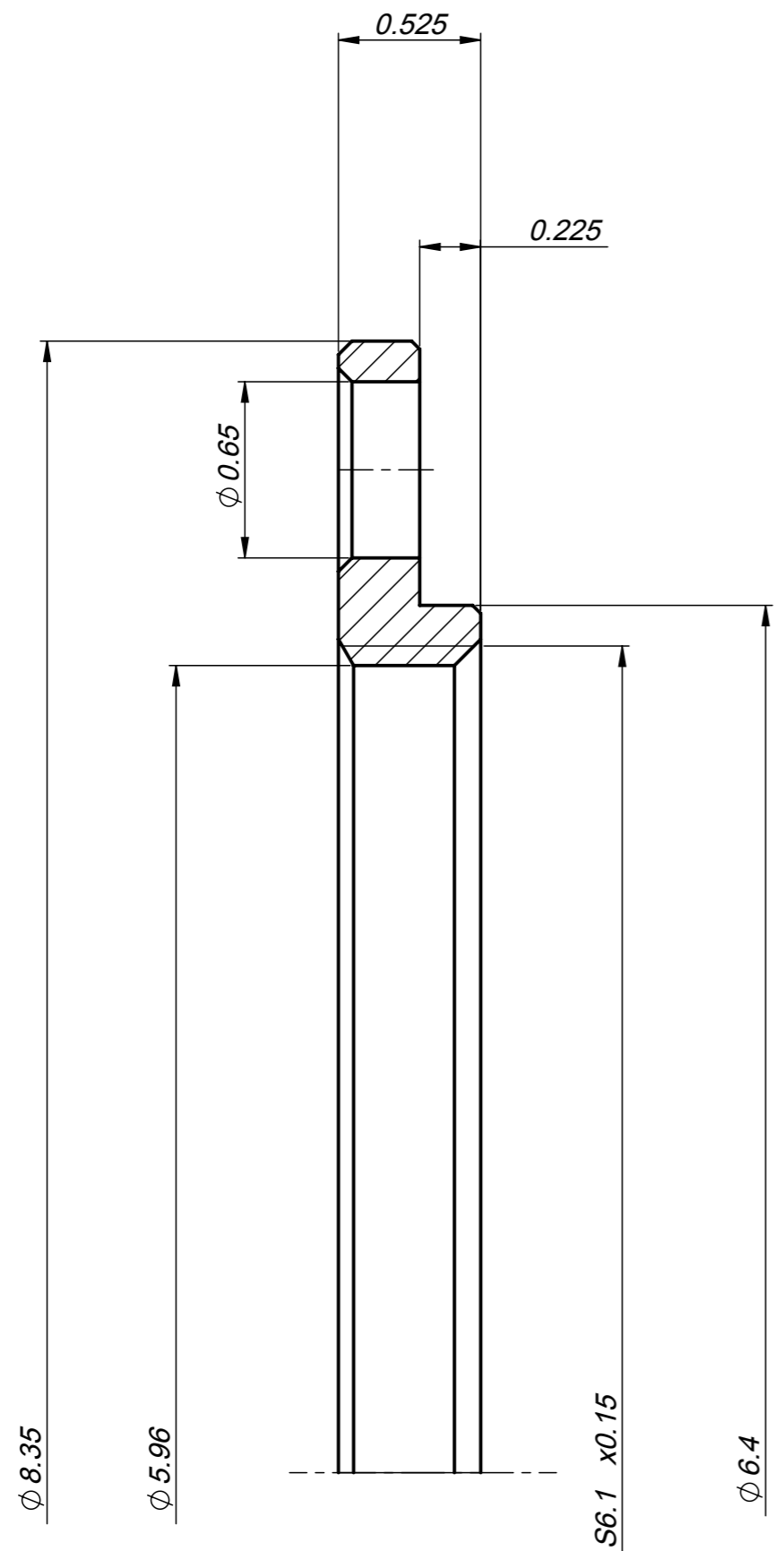
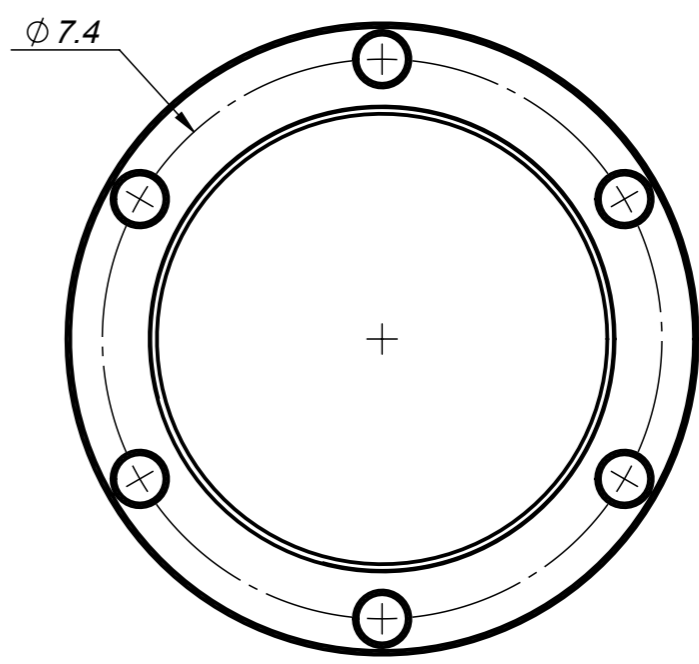


We reserve all right in connection with this document and in the subject thereof. By acceptance of the document the recipient acknowledges these rights and undertakes not to publish the document nor the subject thereof in full or in part, nor to make them available to any third party without our prior express written authorization, nor to use it for any purpose other than for which it was delivered to him.

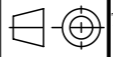

SW



Ech.: 5:1



Ech.: 10:1

Remplace		Usinage général	Dessiné	Date	Désignation		Echelle
		N5 (N3)	ZWA	21.05.2012	Ecrrou 1403		40:1
Matière		Remarque		Contrôlé			Format A3H
Acier Inox					Ensemble \ Projet		Page
Modifié	Libéré	 Cotes en mm - Tolérances en μm Tol. générales selon ISO 2768-FH : Angles: $\pm 2^\circ$ Dimensions: <0.5 $\geq 0.5 \dots 6$ $\geq 6 \dots 30$ $\geq 30 \dots 120$ $\pm 30 \mu$ $\pm 50 \mu$ $\pm 100 \mu$ $\pm 150 \mu$		N° identification		Ind.	
RB: .				 MPS Micro Precision Systems AG			
Date: 30.05.2012							
Visa: zwahlenm							