

Let's innovate together

m<sup>ps</sup>  PRECIMED



# Price Guide

2019

## Table of contents

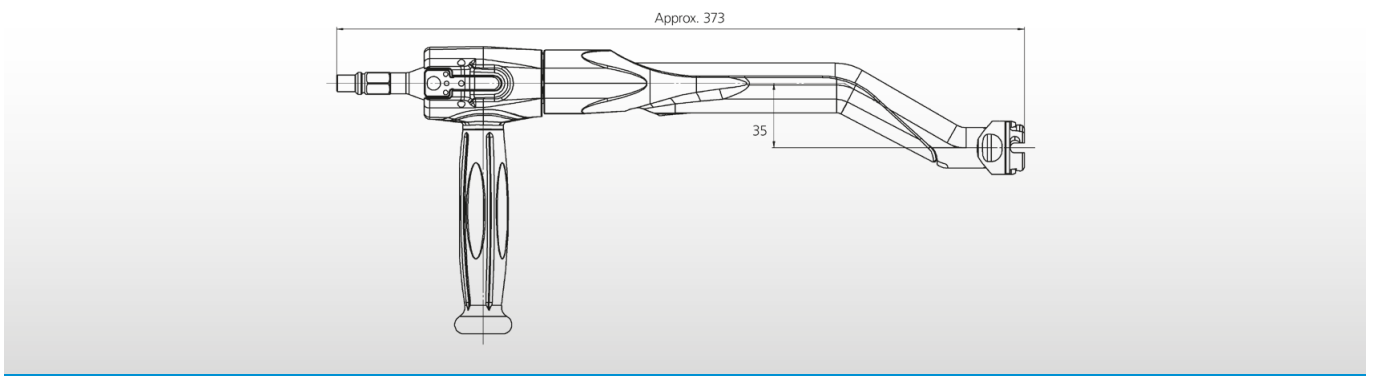
Carbon Offset Reamer Handle	3
U-joint chain and Handle	4
Straight Reamer Handle	5
Acetabular Reamers	6
Knee Extraction Kit	7
Drills: Bayonet Drill	8
Drills: Straight Drill	9
Drills: AO Drill	10
Impactor	Separated brochure
Broach Handle	Separated brochure
Intramedullary Flexible Reamer: modular and monobloc system	Separated brochure



# Carbon Offset Reamer Handle 2019



Carbon Offset Reamer Handle



Carbon Offset Reamer Handle

MPS Precimed Part Number	Commercial Part Number	Part Description	Reamer Connection	Lead-time
T17727	MPF3100CAR04	Carbon Offset Reamer Handle AO	Non-locking (compatible with Cross Bar connection reamers)	12 - 14 weeks *
T17728	MPF3100CAR05	Carbon Offset Reamer Handle Hudson	Non-locking (compatible with Cross Bar connection reamers)	12 - 14 weeks *
T17729	MPF3100CAR06	Carbon Offset Reamer Handle Stryker / Zimmer-Hall	Non-locking (compatible with Cross Bar connection reamers)	12 - 14 weeks *
T17875	MPF3100CAR07	Carbon Offset Reamer Handle AO	Dual coupling	12 - 14 weeks *
T17874	MPF3100CAR08	Carbon Offset Reamer Handle Stryker / Zimmer-Hall	Dual coupling	12 - 14 weeks *
T17876	MPF3100CAR09	Carbon Offset Reamer Handle Hudson	Dual coupling	12 - 14 weeks *

\* The lead time can be improved if stock available



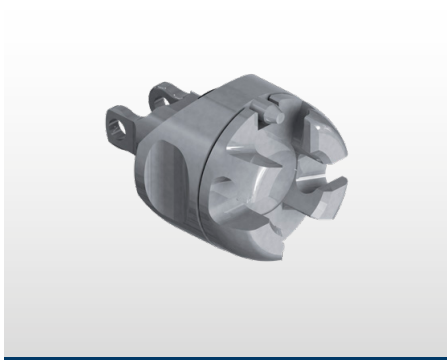
# Spare parts of Carbon Offset Reamer Handle 2019



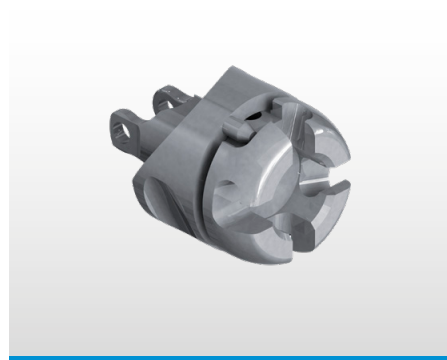
Handle



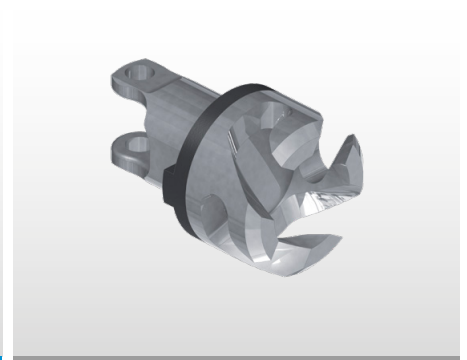
U-joint chain



Dual Coupling



With locking and parking area



Non-locking

MPS Precimed Part Number	Commercial Part Number	Part Description	Reamer Connection	Lead-time
T18180	MPF3100CARP01	Handle	N/A	10 - 12 weeks *
T18198	MPF3100CARC789	U-joint chain	Dual coupling	10 - 12 weeks *
T18297	MPF3100CARC10	U-joint chain	With locking and parking area	On demand *
T18200	MPF3100CARC456	U-joint chain	Non-locking (compatible with Cross Bar connection reamers)	10 - 12 weeks *

\* The lead time can be improved if stock available



# Straight Reamer Handle 2019



Straight Reamer Handle AO



Straight Reamer Handle Hudson



Dual Coupling



Power Tool Connection AO



Power Tool Connection Hudson



Power Tool Connection Stryker / Zimmer-Hall

MPS Precimed Part Number	Commercial Part Number	Part Description	Reamer Connection	Lead-time
T17780	MPF3100STR01	Straight Reamer Handle AO	Dual coupling	8 - 10 weeks *
T17781	MPF3100STR03	Straight Reamer Handle Hudson	Dual coupling	8 - 10 weeks *
T17782	MPF3100STR02	Straight Reamer handle Stryker/ Zimmer-Hall	Dual coupling	8 - 10 weeks *

\* Lead time can be improved if stock available

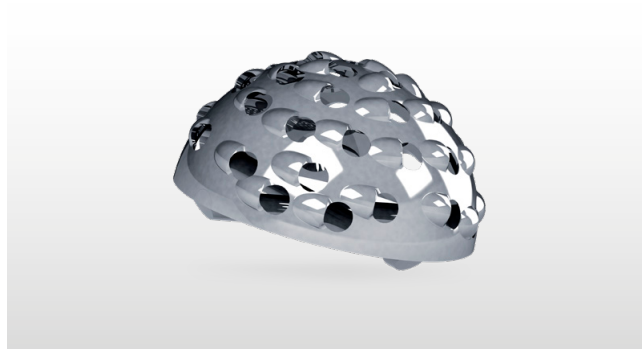
**Price:** the price per unit is fixed at 290.00 CHF and is independent of order quantity



# Acetabular Reamers 2019



Acetabular Reamers



Acetabular Reamers

MPS Precimed Part Number	Commercial Part Number	Diameter	Lead-time
T17793	MFR31003610CR03	36 mm	8 - 10 weeks
T17794	MFR31003710CR03	37 mm	8 - 10 weeks
T17795	MFR31003810CR03	38 mm	8 - 10 weeks
T17796	MFR31003910CR03	39 mm	8 - 10 weeks
T17797	MFR31004010CR03	40 mm	8 - 10 weeks
T17798	MFR31004110CR03	41 mm	8 - 10 weeks
T17799	MFR31004210CR03	42 mm	8 - 10 weeks
T17800	MFR31004310CR03	43 mm	8 - 10 weeks
T17801	MFR31004410CR03	44 mm	8 - 10 weeks
T17802	MFR31004510CR03	45 mm	8 - 10 weeks
T17803	MFR31004610CR03	46 mm	8 - 10 weeks
T17804	MFR31004710CR03	47 mm	8 - 10 weeks
T17805	MFR31004810CR03	48 mm	8 - 10 weeks
T17806	MFR31004910CR03	49 mm	8 - 10 weeks
T17807	MFR31005010CR03	50 mm	8 - 10 weeks
T17808	MFR31005110CR03	51 mm	8 - 10 weeks
T17809	MFR31005210CR03	52 mm	8 - 10 weeks
T17810	MFR31005310CR03	53 mm	8 - 10 weeks
T17811	MFR31005410CR03	54 mm	8 - 10 weeks
T17812	MFR31005510CR03	55 mm	8 - 10 weeks
T17813	MFR31005610CR03	56 mm	8 - 10 weeks
T17814	MFR31005710CR03	57 mm	8 - 10 weeks
T17815	MFR31005810CR03	58 mm	8 - 10 weeks
T17816	MFR31005910CR03	59 mm	8 - 10 weeks
T17817	MFR31006010CR03	60 mm	8 - 10 weeks
T17818	MFR31006110CR03	61 mm	8 - 10 weeks
T17819	MFR31006210CR03	62 mm	8 - 10 weeks
T17820	MFR31006310CR03	63 mm	8 - 10 weeks
T17821	MFR31006410CR03	64 mm	8 - 10 weeks
T17822	MFR31006510CR03	65 mm	8 - 10 weeks
T17823	MFR31006610CR03	66 mm	8 - 10 weeks
T17824	MFR31006710CR03	67 mm	8 - 10 weeks
T17825	MFR31006810CR03	68 mm	8 - 10 weeks
T17826	MFR31006910CR03	69 mm	8 - 10 weeks
T17827	MFR31007010CR03	70 mm	8 - 10 weeks
T17828	MFR31007110CR03	71 mm	8 - 10 weeks
T17829	MFR31007210CR03	72 mm	8 - 10 weeks
T17830	MFR31007310CR03	73 mm	8 - 10 weeks
T17831	MFR31007410CR03	74 mm	8 - 10 weeks
T17832	MFR31007510CR03	75 mm	8 - 10 weeks
T17833	MFR31007610CR03	76 mm	8 - 10 weeks
T17834	MFR31007710CR03	77 mm	8 - 10 weeks
T17835	MFR31007810CR03	78 mm	8 - 10 weeks
T17836	MFR31007910CR03	79 mm	8 - 10 weeks
T17837	MFR31008010CR03	80 mm	8 - 10 weeks

Laser Marking: MPS Precimed standard laser-marking



# Knee Extraction Kit 2019



Extraction clamp



Offset puncher



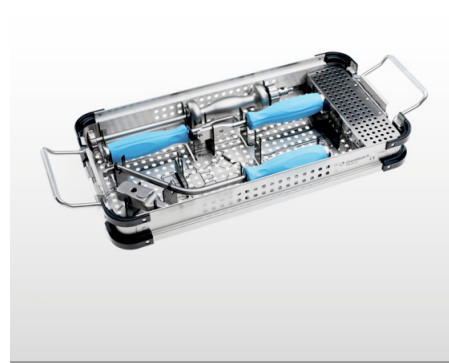
Slap hammer



Hook adapter for Slap hammer



Chisel handle

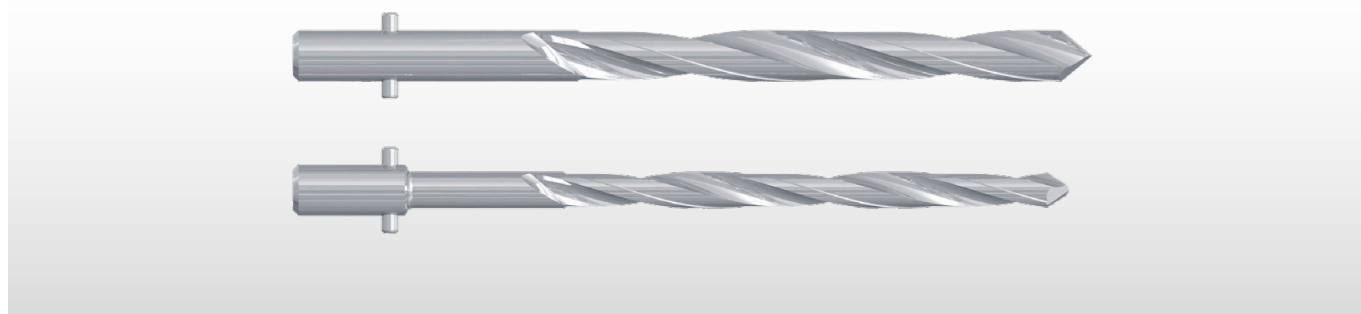


Case \*

MPS item reference	Description
T15756	Extraction clamp
T16802	Offset puncher
T16808	Slap hammer
T16809	Hook adapter for SH
T16801	Chisel handle
MPS4EXT01	Case *

\* For request of Lid or Case, please contact us





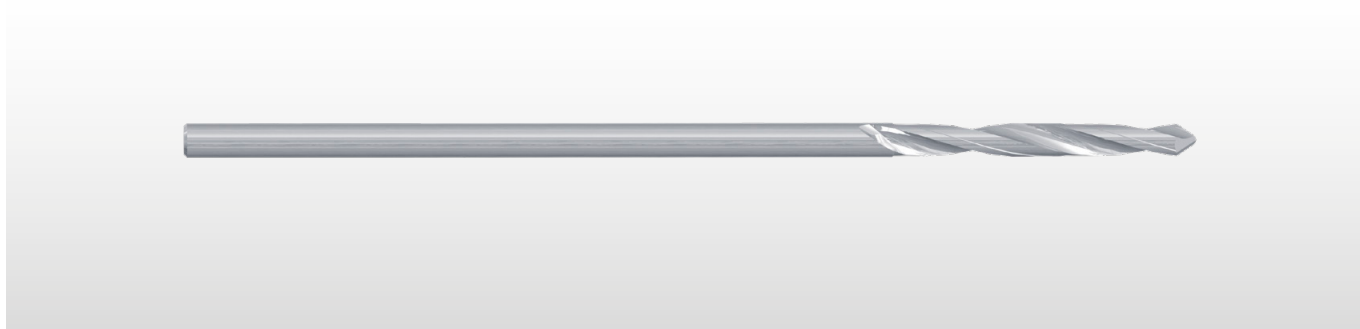
Bayonet Drill

Item #	Dia. mm	Total Length	Flute Length	Min. Quantity	Unit price - EXW, based on					
					50 pcs	100 pcs	200 pcs	300 pcs	400 pcs	500 pcs
T17972	3.8	40 mm	18 mm	50 pcs	CHF 95.70	CHF 54.90	CHF 39.45	CHF 33.60	CHF 30.70	CHF 28.00
T17973	3.8	50 mm	28 mm	50 pcs	CHF 99.10	CHF 58.05	CHF 42.65	CHF 36.75	CHF 33.85	CHF 31.20
T1276	3.2	35 mm	20 mm	50 pcs	CHF 89.00	CHF 54.00	CHF 38.55	CHF 32.65	CHF 29.75	CHF 27.05
T6028	3.2	40 mm	15 mm	50 pcs	CHF 87.30	CHF 53.40	CHF 37.90	CHF 32.15	CHF 29.15	CHF 26.50
T10154	3.2	42 mm	18 mm	50 pcs	CHF 87.90	CHF 54.00	CHF 38.55	CHF 32.70	CHF 29.80	CHF 27.10
T716	3.2	50 mm	33 mm	50 pcs	CHF 89.80	CHF 55.90	CHF 40.40	CHF 34.60	CHF 31.70	CHF 29.05
T10909	3.2	50 mm	30 mm	50 pcs	CHF 90.00	CHF 56.00	CHF 40.65	CHF 34.80	CHF 31.90	CHF 29.30
T13429	3.2	52 mm	29 mm	50 pcs	CHF 90.00	CHF 56.00	CHF 40.65	CHF 34.80	CHF 31.90	CHF 29.30
T830	3.2	56 mm	38 mm	50 pcs	CHF 92.30	CHF 58.35	CHF 42.95	CHF 37.10	CHF 34.20	CHF 31.50
T6029	3.2	59 mm	30 mm	50 pcs	CHF 91.10	CHF 57.15	CHF 41.75	CHF 35.90	CHF 33.05	CHF 30.35
T10476	3.2	62 mm	40 mm	50 pcs	CHF 93.00	CHF 59.00	CHF 43.60	CHF 37.80	CHF 34.90	CHF 32.30
T15600	3.2	70 mm	45 mm	50 pcs	CHF 93.95	CHF 60.05	CHF 44.60	CHF 38.80	CHF 35.85	CHF 33.25
T717	3.2	70 mm	50 mm	50 pcs	CHF 95.10	CHF 60.15	CHF 44.20	CHF 38.20	CHF 35.20	CHF 32.50
P9135	3.2	90 mm	50 mm	50 pcs	CHF 98.40	CHF 64.30	CHF 48.95	CHF 43.00	CHF 40.10	CHF 37.50
T3163	3.5	35 mm	15 mm	50 pcs	CHF 91.30	CHF 55.90	CHF 39.80	CHF 33.75	CHF 30.70	CHF 28.00
T718	3.5	50 mm	32 mm	50 pcs	CHF 92.00	CHF 58.10	CHF 42.65	CHF 36.85	CHF 33.90	CHF 31.30
T719	3.5	70 mm	38 mm	50 pcs	CHF 95.70	CHF 60.50	CHF 44.40	CHF 38.35	CHF 35.25	CHF 32.55
T2754	4.5	50 mm	30 mm	50 pcs	CHF 92.85	CHF 58.70	CHF 43.25	CHF 37.40	CHF 34.45	CHF 31.80
T3313	4.5	56 mm	36 mm	50 pcs	CHF 94.25	CHF 60.05	CHF 44.60	CHF 38.70	CHF 35.80	CHF 33.10
T1262	4.5	70 mm	50 mm	50 pcs	CHF 97.65	CHF 62.40	CHF 46.25	CHF 40.20	CHF 37.15	CHF 34.45

\* Lead time on request







Straight Drill

Item #	Dia. mm	Total Length	Flute Length	Min. Quantity	Unit price - EXW, based on						
					50 pcs	100 pcs	200 pcs	300 pcs	400 pcs	500 pcs	1000 pcs
T4582	1.5	70 mm	22 mm	50 pcs	CHF 67.95	CHF 38.80	CHF 25.25	CHF 20.30	CHF 17.85	CHF 15.55	CHF 12.65
T1802	2	85 mm	50 mm	50 pcs	CHF 68.35	CHF 39.10	CHF 25.55	CHF 20.60	CHF 18.15	CHF 15.85	CHF 12.90
P651	2.5	111 mm	50 mm	50 pcs	CHF 70.75	CHF 41.45	CHF 27.95	CHF 23.10	CHF 20.60	CHF 18.25	CHF 15.40
P6906	3	220 mm	25 mm	50 pcs	CHF 80.35	CHF 46.40	CHF 30.50	CHF 24.80	CHF 21.95	CHF 19.35	CHF 16.00
T889	3.2	130 mm	50 mm	50 pcs	CHF 71.35	CHF 42.05	CHF 28.60	CHF 23.70	CHF 21.20	CHF 18.90	CHF 16.00
T827	3.2	146 mm	50 mm	50 pcs	CHF 71.70	CHF 42.45	CHF 28.90	CHF 23.95	CHF 21.50	CHF 19.20	CHF 16.30

\* Lead time on request





AO Drill

Item #	Dia. mm	Total Length	Flute Length	Min. Quantity	Unit price - EXW, based on						
					50 pcs	100 pcs	200 pcs	300 pcs	400 pcs	500 pcs	1000 pcs
T4581	1.1	60 mm	20 mm	50 pcs	CHF 85.15	CHF 50.20	CHF 34.15	CHF 28.15	CHF 25.20	CHF 22.55	CHF 19.05
P6918	1.1	72 mm	20 mm	50 pcs	CHF 84.85	CHF 50.10	CHF 34.00	CHF 28.10	CHF 25.20	CHF 22.50	CHF 19.00
T1302	1.5	85 mm	30 mm	50 pcs	CHF 85.70	CHF 50.65	CHF 34.50	CHF 28.60	CHF 25.60	CHF 22.95	CHF 19.50
T872	2	100 mm	50 mm	50 pcs	CHF 86.35	CHF 51.30	CHF 35.25	CHF 29.30	CHF 26.30	CHF 23.60	CHF 20.20
P6913	2	122 mm	50 mm	50 pcs	CHF 87.60	CHF 52.45	CHF 36.25	CHF 30.20	CHF 27.20	CHF 24.50	CHF 20.60
T875	2.5	180 mm	50 mm	50 pcs	CHF 84.80	CHF 52.25	CHF 37.30	CHF 31.80	CHF 29.10	CHF 26.50	CHF 23.30
T874	2.5	110 mm	50 mm	50 pcs	CHF 86.85	CHF 51.90	CHF 35.85	CHF 29.90	CHF 27.00	CHF 24.30	CHF 20.85
T876	2.7	100 mm	50 mm	50 pcs	CHF 86.85	CHF 51.90	CHF 35.85	CHF 29.90	CHF 26.90	CHF 24.20	CHF 20.80
T877	2.7	125 mm	50 mm	50 pcs	CHF 87.00	CHF 52.05	CHF 36.00	CHF 30.05	CHF 27.05	CHF 24.35	CHF 20.90
T882	3	146 mm	50 mm	50 pcs	CHF 88.30	CHF 53.35	CHF 37.10	CHF 31.20	CHF 28.25	CHF 25.55	CHF 22.10
T878	3.2	145 mm	50 mm	50 pcs	CHF 88.30	CHF 53.35	CHF 37.10	CHF 31.20	CHF 28.25	CHF 25.55	CHF 22.10
T879	3.2	195 mm	50 mm	50 pcs	CHF 91.65	CHF 56.40	CHF 40.10	CHF 34.15	CHF 31.15	CHF 28.45	CHF 24.95
T645	3.5	110 mm	50 mm	50 pcs	CHF 87.85	CHF 52.90	CHF 36.80	CHF 30.85	CHF 27.95	CHF 25.80	CHF 21.80
T883	3.5	145 mm	50 mm	50 pcs	CHF 88.30	CHF 53.35	CHF 37.10	CHF 31.20	CHF 28.25	CHF 25.55	CHF 22.10
T835	3.5	195 mm	50 mm	50 pcs	CHF 90.90	CHF 55.70	CHF 39.45	CHF 33.45	CHF 30.50	CHF 27.80	CHF 24.30
T880	4.5	145 mm	50 mm	50 pcs	CHF 90.25	CHF 55.30	CHF 39.10	CHF 33.15	CHF 30.20	CHF 27.50	CHF 24.05
T836	4.5	195 mm	50 mm	50 pcs	CHF 93.05	CHF 57.80	CHF 41.55	CHF 35.55	CHF 32.55	CHF 29.90	CHF 26.35

\* Lead time on request

